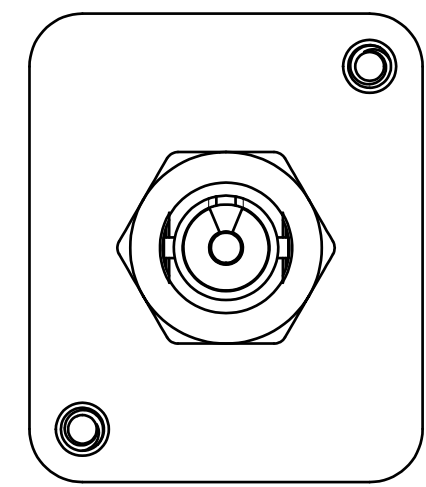
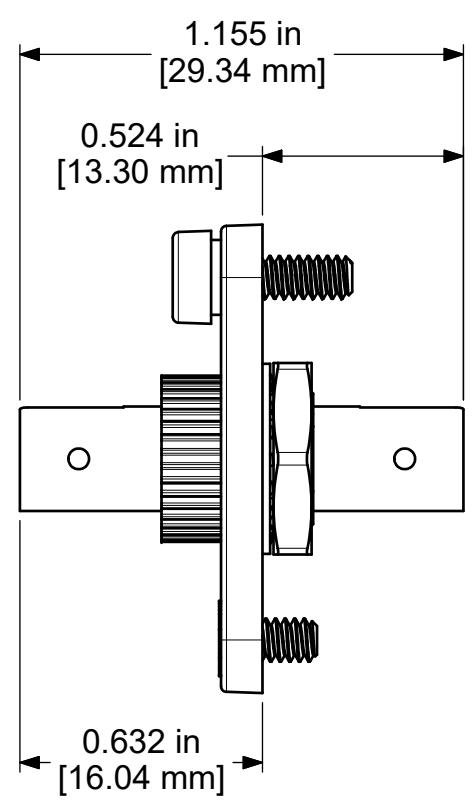
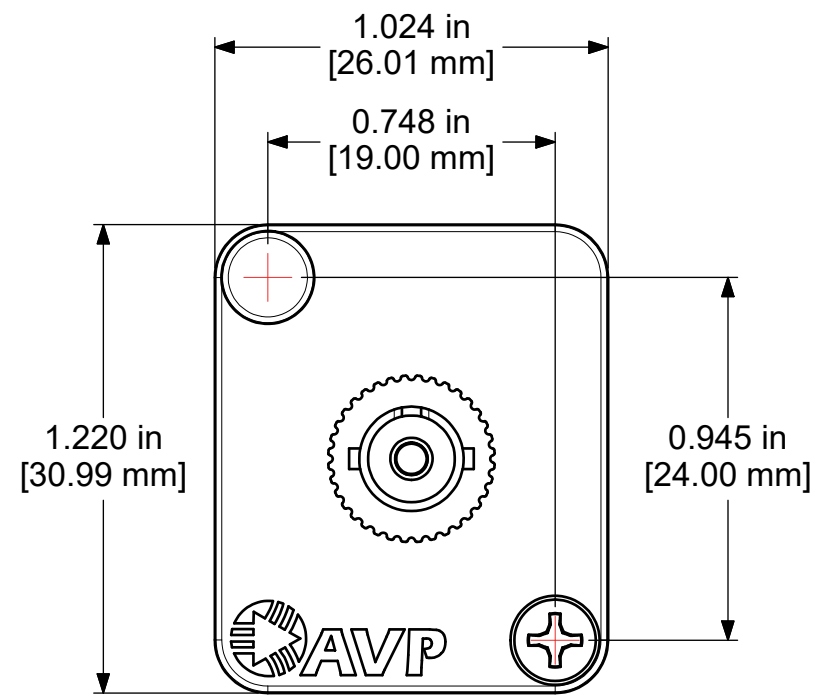
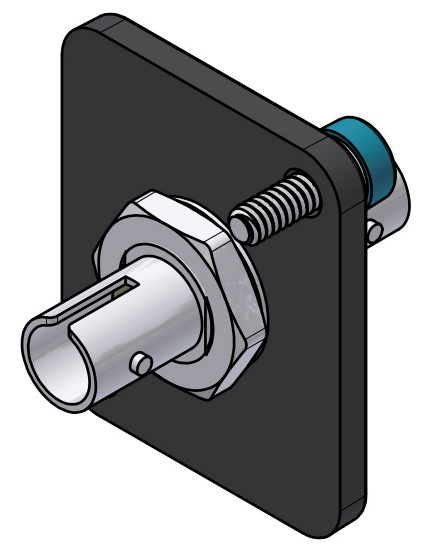
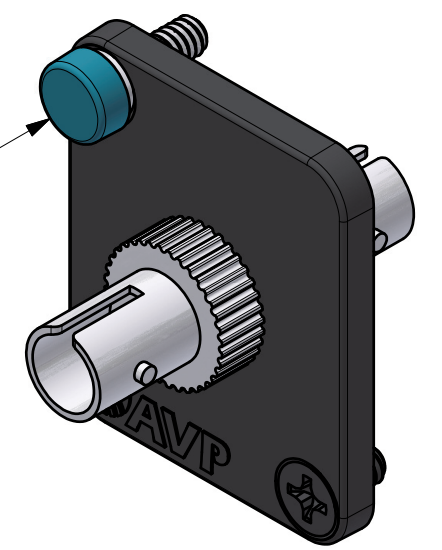


# Product Drawing

# UMF-SMS-ST Connector Kit



Maxxum Indicator System (MIS).  
Module Kit supplied with Blue  
and Green Color-coded Caps.



\* In the interest of improved design and performance, AVP reserves the right to make changes in its specifications without prior notice. Although every reasonable effort has been made to insure the accuracy of the information contained, photographs and/or drawings may differ slightly from the appearance or dimension of the actual product. All trademarks, trade names, logos, product names, and company names appearing are the property of their respective owners. Not responsible for typographical or data errors. Copyright © AVP MFG & Supply Inc.

<b>MIS</b> <b>Ordering</b> <b>Info</b>	○ WHITE   ● BEIGE   ● YELLOW   ● BROWN ● BLUE   ● GRAY   ● PURPLE   ● GREEN ● RED   ● AQUA   ● BLACK   ● ORANGE   ● MAGENTA	MIS-30-COLOR } MIS-60-COLOR } MIS-100-COLOR }	Replace "COLOR" Eg: MIS-30-RED } to order 30 RED }	MIS-30-Multi - 30 of each color MIS-60-Multi - 60 of each color MIS-100-Multi - 100 each color
--	---	---	--	--



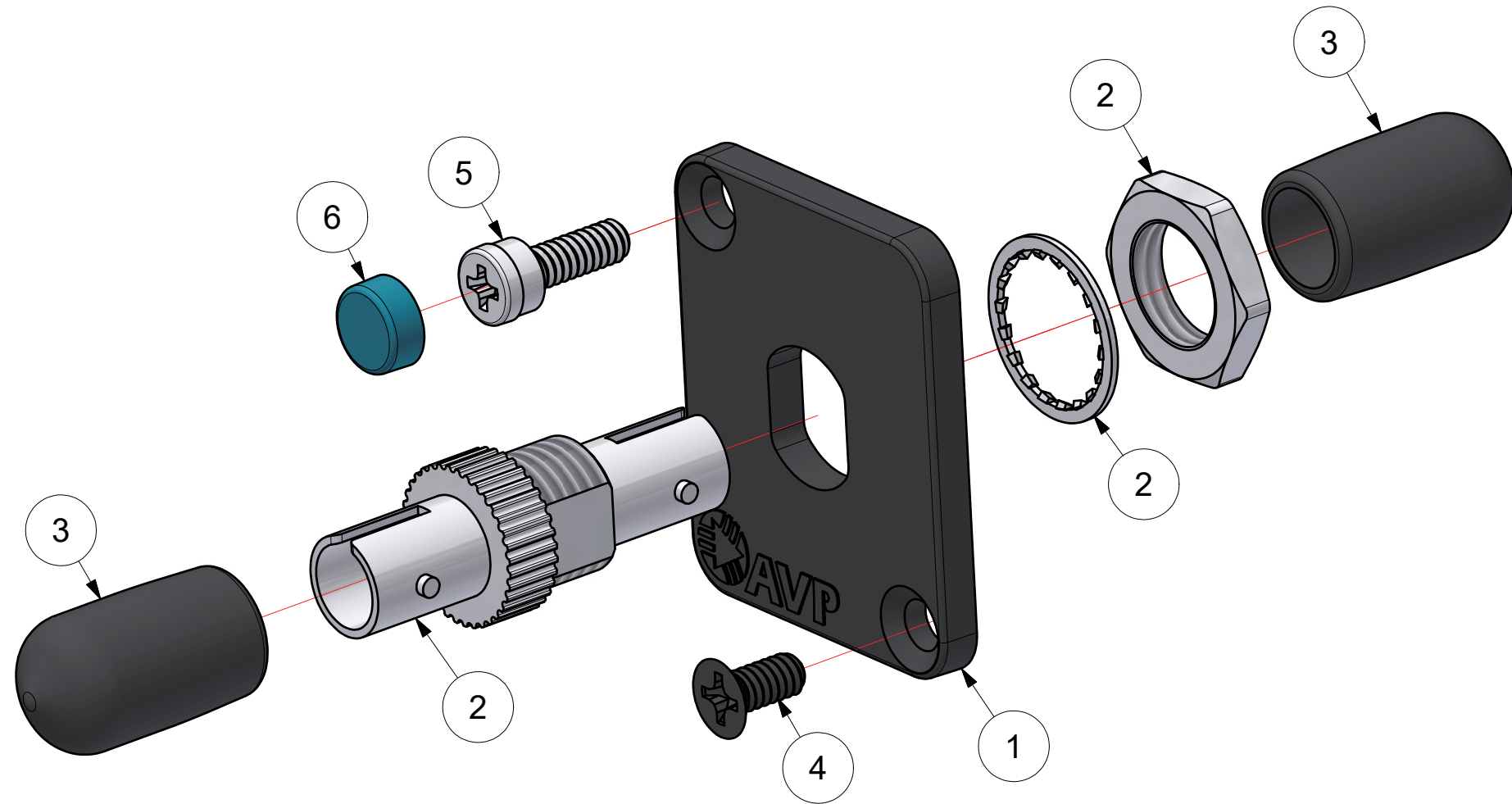
**ST SM SX Metal Adapter, Zirconia Sleeve,  
Blue & Green MIS, Adapter Plate(s) and/or Hardware,  
Maxxum Series**

File Name: UMF-SMS-ST-PD		P/N: 907180	
Product Family: Universal Bulkhead Panel System, Maxxum Series			
Date Drawn: 24-Aug-22	Page Number: 1 of 2	Revision: 10.0	Sheet Size: B
Drawn By: D.Brazeau	Checked By:	Approved By:	

# UMF-SMS-ST Connector Kit

Parts List		
ITEM	QTY	PART No.
1	1	123584
2	1	241318
3	2	126478
4	2	126180
5	1	129916
6	1	126095

Included MIS Indicators Not Shown			
ITEM	QTY	PART No.	COLOR
1	1	126092	Green



\* In the interest of improved design and performance, AVP reserves the right to make changes in its specifications without prior notice. Although every reasonable effort has been made to insure the accuracy of the information contained, photographs and/or drawings may differ slightly from the appearance or dimension of the actual product. All trademarks, trade names, logos, product names, and company names appearing are the property of their respective owners. Not responsible for typographical or data errors. Copyright © AVP MFG & Supply Inc.

<b>MIS Ordering Info</b> 	MIS-30-COLOR	Replace "COLOR" Eg: MIS-30-RED to order 30 RED	MIS-30-Multi - 30 of each color
	MIS-60-COLOR		MIS-60-Multi - 60 of each color
	MIS-100-COLOR		MIS-100-Multi - 100 each color



## ST SM SX Metal Adapter, Zirconia Sleeve, Blue & Green MIS, Adapter Plate(s) and/or Hardware, Maxxum Series

File Name: UMF-SMS-ST-PD		P/N: 907180	
Product Family: Universal Bulkhead Panel System, Maxxum Series			
Date Drawn: 24-Aug-22	Page Number: 2 of 2	Revision: 10.0	Sheet Size: B
Drawn By: D.Brazeau	Checked By:	Approved By:	