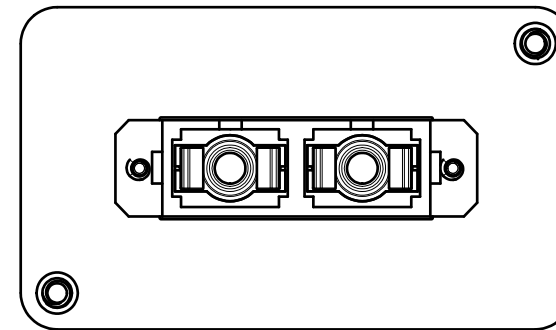
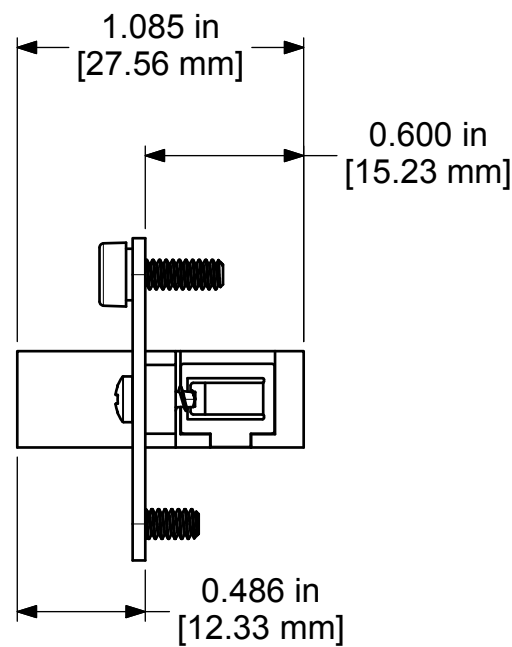
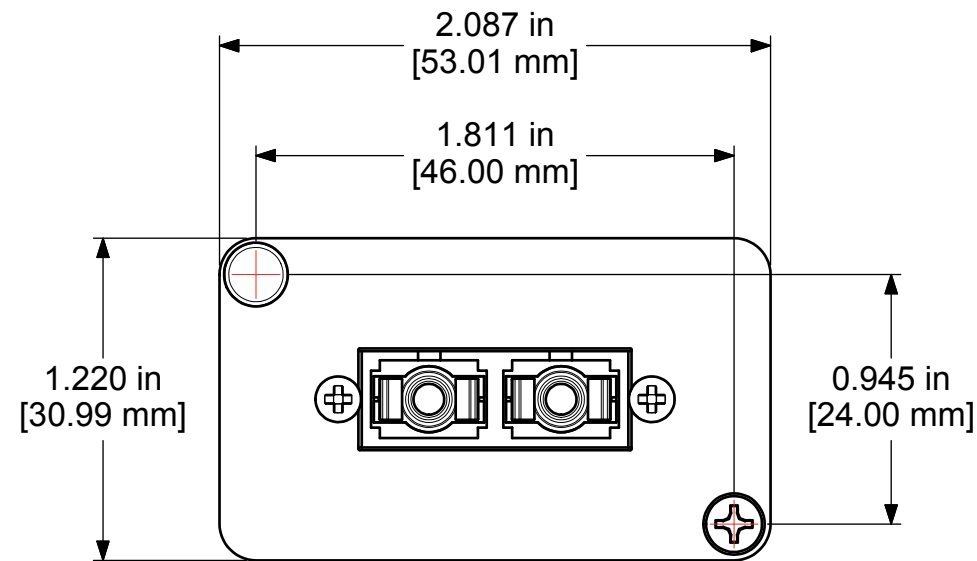


Product Drawing

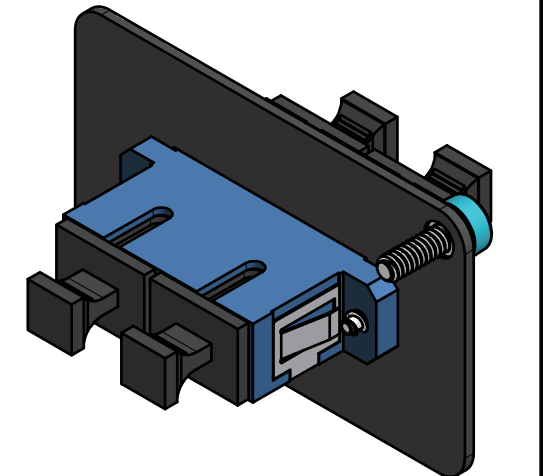
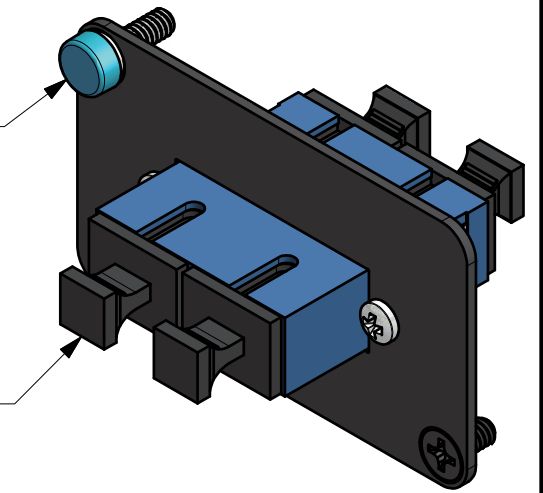
UMF-SMD-SC-BL Connector Kit



Maxxum Indicator System (MIS).
Module Kit supplied with Blue,
and Black Color-code Caps.



Supplied with 4x
removable plugs



Fits Maxxum
Dual D Panels

* In the interest of improved design and performance, AVP reserves the right to make changes in its specifications without prior notice. Although every reasonable effort has been made to insure the accuracy of the information contained, photographs and/or drawings may differ slightly from the appearance or dimension of the actual product. All trademarks, trade names, logos, product names, and company names appearing are the property of their respective owners. Not responsible for typographical or data errors. Copyright © AVP MFG & Supply Inc.

**MIS
Ordering
Info**

- WHITE ● BEIGE ● YELLOW ● BROWN
- BLUE ● GRAY ● PURPLE ● GREEN
- RED ● AQUA ● BLACK ● ORANGE ● MAGENTA

- MIS-30-COLOR
- MIS-60-COLOR
- MIS-100-COLOR

Replace "COLOR"
Eg: MIS-30-RED
to order 30 RED

- MIS-30-Multi - 30 of each color
- MIS-60-Multi - 60 of each color
- MIS-100-Multi - 100 each color



**SC Singlemode Duplex Blue Adapter,
Polymer Housing, Zirconia Sleeve, Black & Blue MIS,
Adapter Plate(s) and/or Hardware, Maxxum Series**

File Name: UMF-SMD-SC-BL-PD

P/N: 907191

Product Family: Universal Bulkhead Panel System, Maxxum Series

Date Drawn: 04/09/2023

Page Number: 1 of 2

Revision: 7.0

Sheet Size: B

Drawn By: D.Brazeau

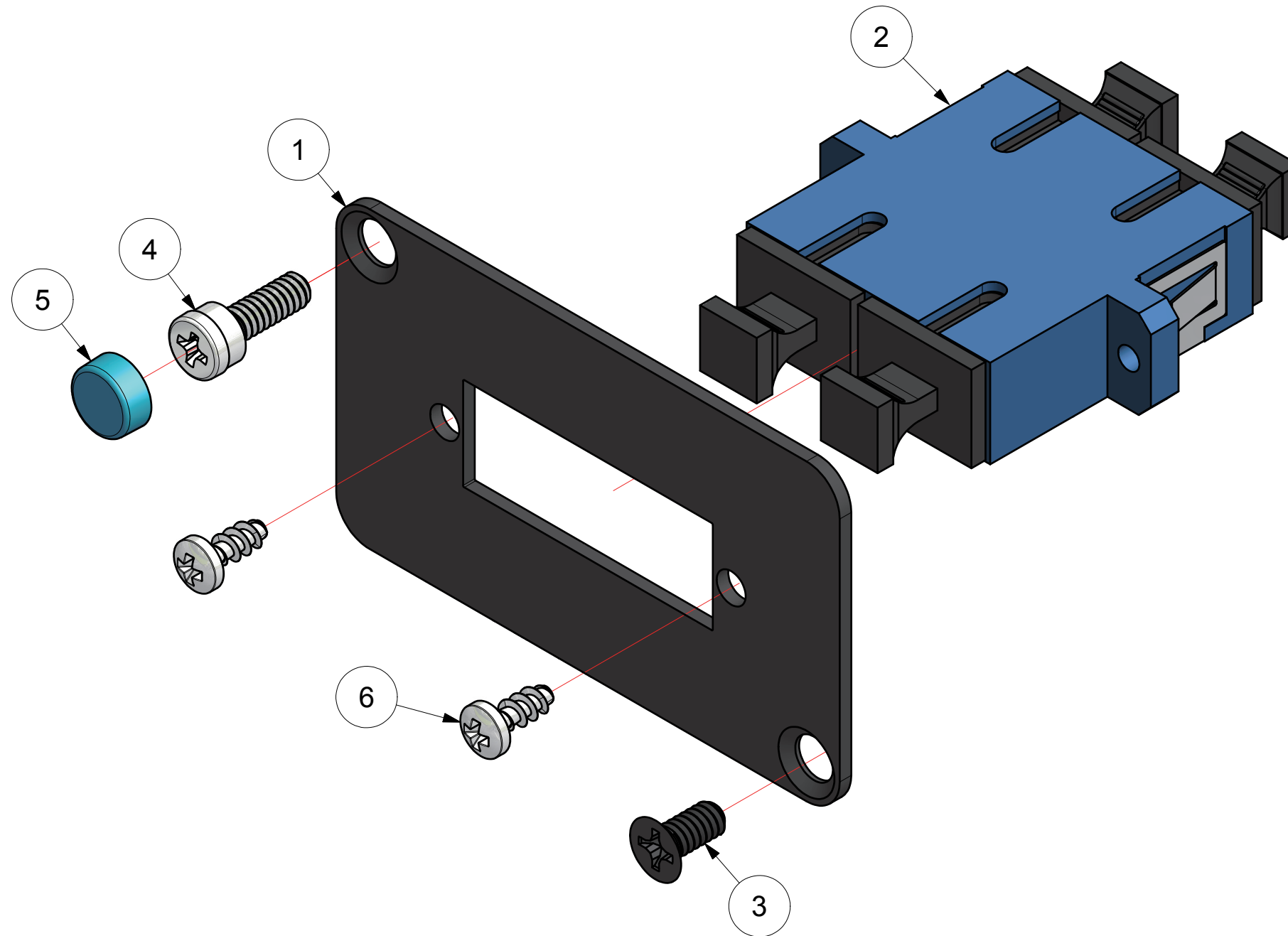
Checked By:

Approved By:

UMF-SMD-SC-BL Connector Kit

| Parts List | | |
|------------|-----|-----------|
| ITEM | QTY | PART No. |
| 1 | 1 | 111801-PB |
| 2 | 1 | 241326 |
| 3 | 1 | 126180 |
| 4 | 1 | 129916 |
| 5 | 1 | 126095 |
| 6 | 2 | 126147 |

| Included MIS Indicator Not Shown | | | |
|----------------------------------|-----|----------|-------|
| ITEM | QTY | PART No. | COLOR |
| 1 | 1 | 126098 | Black |



* In the interest of improved design and performance, AVP reserves the right to make changes in its specifications without prior notice. Although every reasonable effort has been made to insure the accuracy of the information contained, photographs and/or drawings may differ slightly from the appearance or dimension of the actual product. All trademarks, trade names, logos, product names, and company names appearing are the property of their respective owners. Not responsible for typographical or data errors. Copyright © AVP MFG & Supply Inc.

| | | | | |
|--|---|---|--|--|
| MIS Ordering Info | ○ WHITE ● BEIGE ● YELLOW ● BROWN ● BLUE ● GRAY ● PURPLE ● GREEN ● RED ● AQUA ● BLACK ● ORANGE ● MAGENTA | MIS-30-COLOR } MIS-60-COLOR } MIS-100-COLOR } | Replace "COLOR" Eg: MIS-30-RED to order 30 RED | MIS-30-Multi - 30 of each color MIS-60-Multi - 60 of each color MIS-100-Multi - 100 each color |
|--|---|---|--|--|



SC Singlemode Duplex Blue Adapter, Polymer Housing, Zirconia Sleeve, Black & Blue MIS, Adapter Plate(s) and/or Hardware, Maxxum Series

| | | | | |
|--|---------------------|---------------|---------------|--|
| File Name: UMF-SMD-SC-BL-PD | | | P/N: 907191 | |
| Product Family: Universal Bulkhead Panel System, Maxxum Series | | | | |
| Date Drawn: 04/09/2023 | Page Number: 2 of 2 | Revision: 7.0 | Sheet Size: B | |
| Drawn By: D.Brazeau | Checked By: | Approved By: | | |