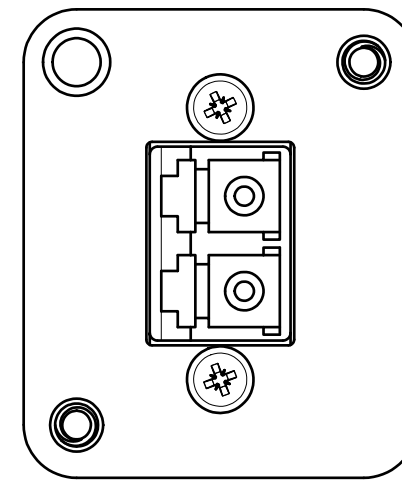
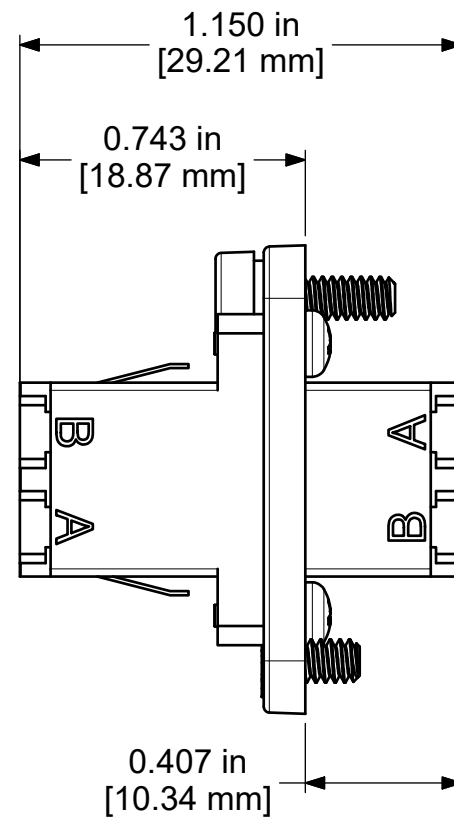
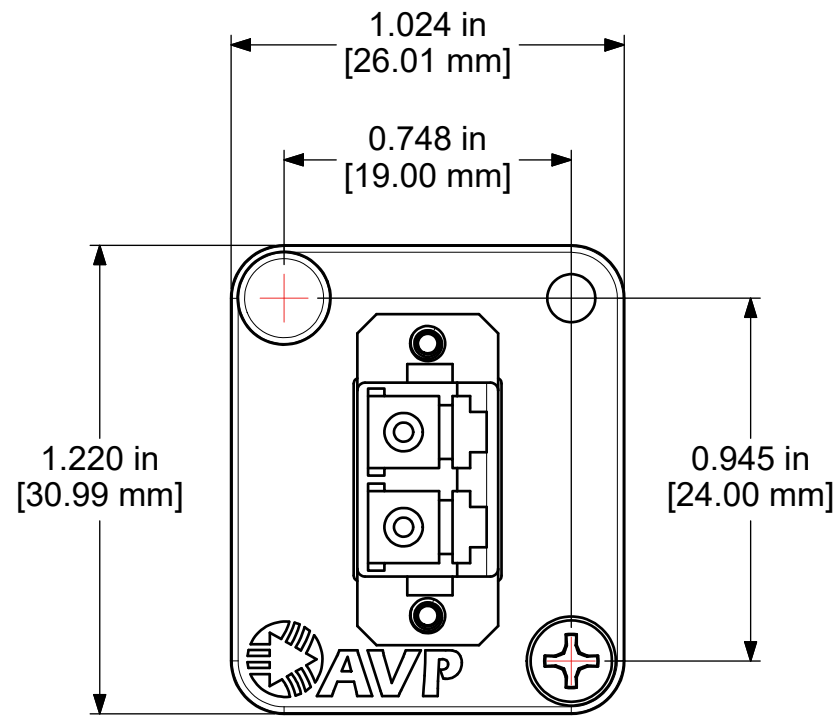
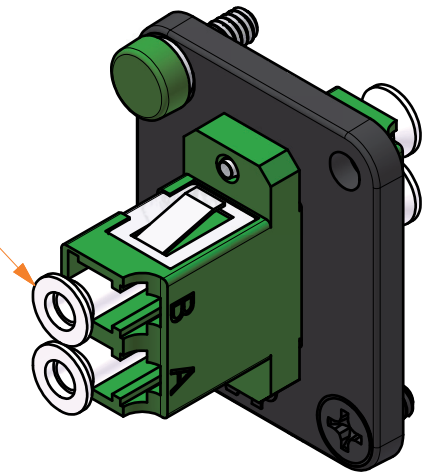


Product Drawing

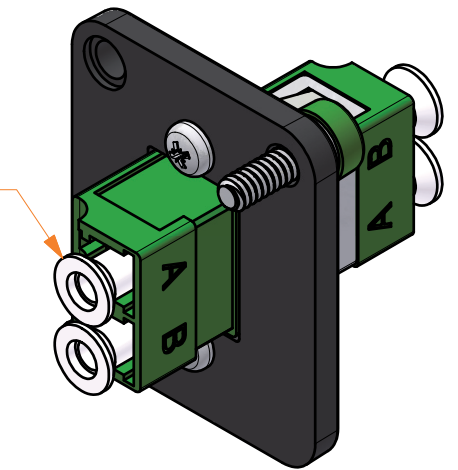
UMF-SMD-LC-GN Connector Kit



Maxxum Indicator System (MIS)
Green colored cap supplied



Supplied with
4x Dust Plugs



* In the interest of improved design and performance, AVP reserves the right to make changes in its specifications without prior notice. Although every reasonable effort has been made to insure the accuracy of the information contained, photographs and/or drawings may differ slightly from the appearance or dimension of the actual product. All trademarks, trade names, logos, product names, and company names appearing are the property of their respective owners. Not responsible for typographical or data errors. Copyright © AVP MFG & Supply Inc.

MIS
Ordering
Info

- WHITE
- BLUE
- RED
- BEIGE
- GRAY
- AQUA
- YELLOW
- PURPLE
- BLACK
- ORANGE
- BROWN
- GREEN
- MAGENTA

- MIS-30-COLOR
- MIS-60-COLOR
- MIS-100-COLOR

Replace "COLOR"
Eg: MIS-30-RED
to order 30 RED

- MIS-30-Multi - 30 of each color
- MIS-60-Multi - 60 of each color
- MIS-100-Multi - 100 each color



**LC/APC Singlemode Duplex Green Polymer Housing
Adapter, Zirconia Sleeve, SC Footprint, Green MIS,
Adapter Plate(s) and/or Hardware, Maxxum Series**

File Name: UMF-SMD-LC-GN-PD

P/N: 907201

Product Family: Universal Bulkhead Panel System, Maxxum Series

Date Drawn: 15-Sep-25

Page Number: 1 of 2

Revision: 7.0

Sheet Size: B

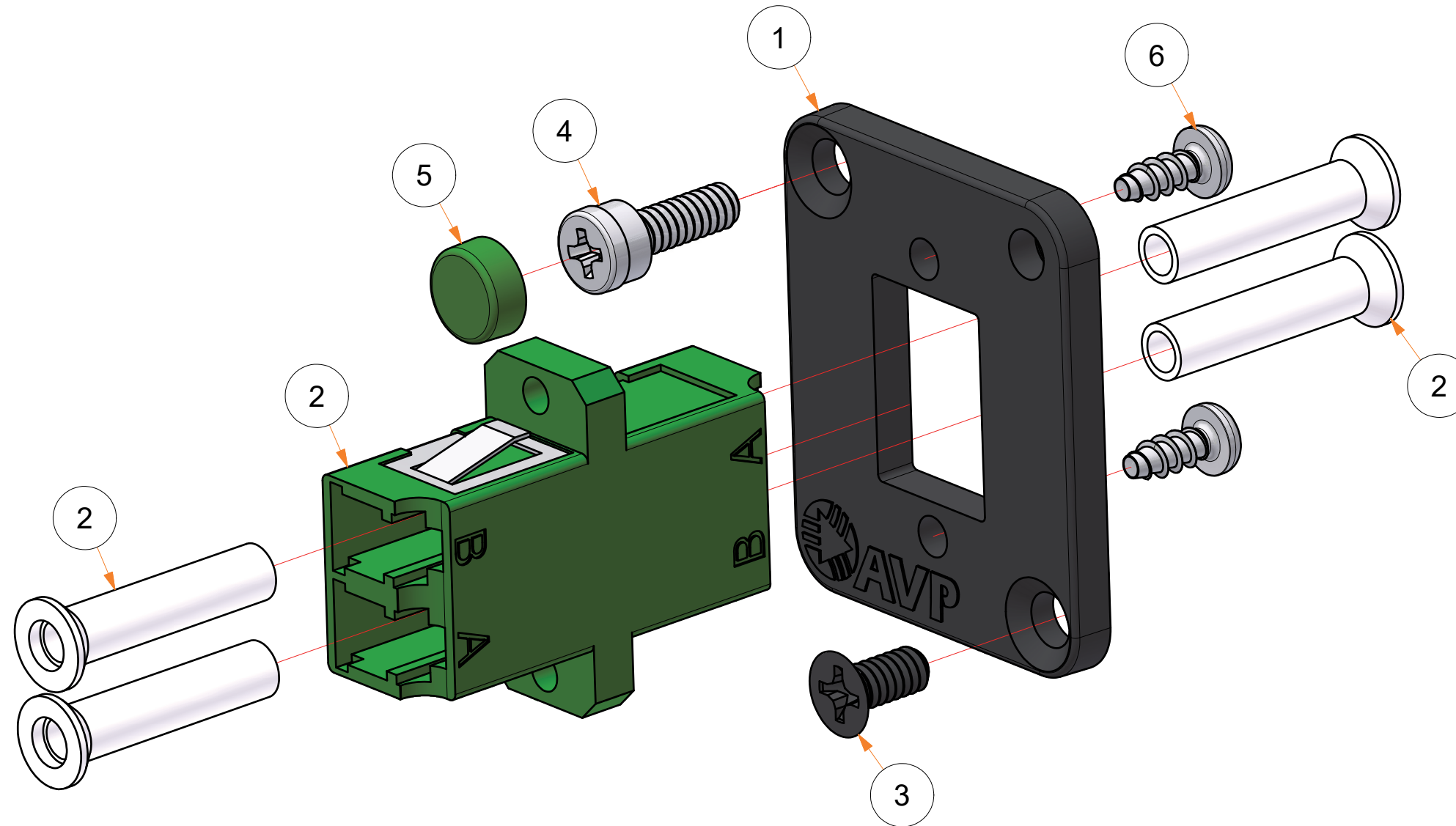
Drawn By: D.Brazeau

Checked By:

Approved By:

Parts List		
ITEM	QTY	PART No.
1	1	129923
2	1	241336
3	1	126180
4	1	129916
5	1	126092
6	2	126147

UMF-SMD-LC-GN Connector Kit



* In the interest of improved design and performance, AVP reserves the right to make changes in its specifications without prior notice. Although every reasonable effort has been made to insure the accuracy of the information contained, photographs and/or drawings may differ slightly from the appearance or dimension of the actual product. All trademarks, trade names, logos, product names, and company names appearing are the property of their respective owners. Not responsible for typographical or data errors. Copyright © AVP MFG & Supply Inc.

MIS
Ordering
Info

○ WHITE ● BEIGE ● YELLOW ● BROWN
● BLUE ● GRAY ● PURPLE ● GREEN
● RED ● AQUA ● BLACK ● ORANGE ● MAGENTA

MIS-30-COLOR
MIS-60-COLOR
MIS-100-COLOR

Replace "COLOR"
Eg: MIS-30-RED
to order 30 RED

MIS-30-Multi - 30 of each color
MIS-60-Multi - 60 of each color
MIS-100-Multi - 100 each color



**LC/APC Singlemode Duplex Green Polymer Housing
Adapter, Zirconia Sleeve, SC Footprint, Green MIS,
Adapter Plate(s) and/or Hardware, Maxxum Series**

File Name: UMF-SMD-LC-GN-PD

P/N: 907201

Product Family: Universal Bulkhead Panel System, Maxxum Series

Date Drawn: 15-Sep-25

Page Number: 2 of 2

Revision: 7.0

Sheet Size: B

Drawn By: D.Brazeau

Checked By:

Approved By: