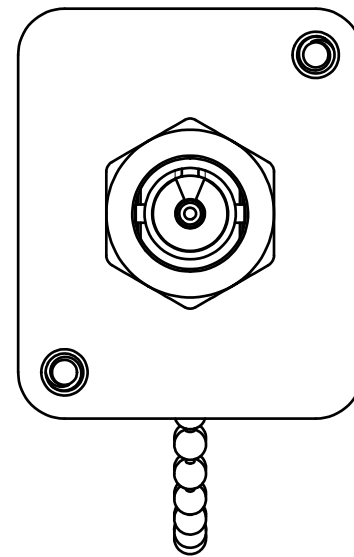
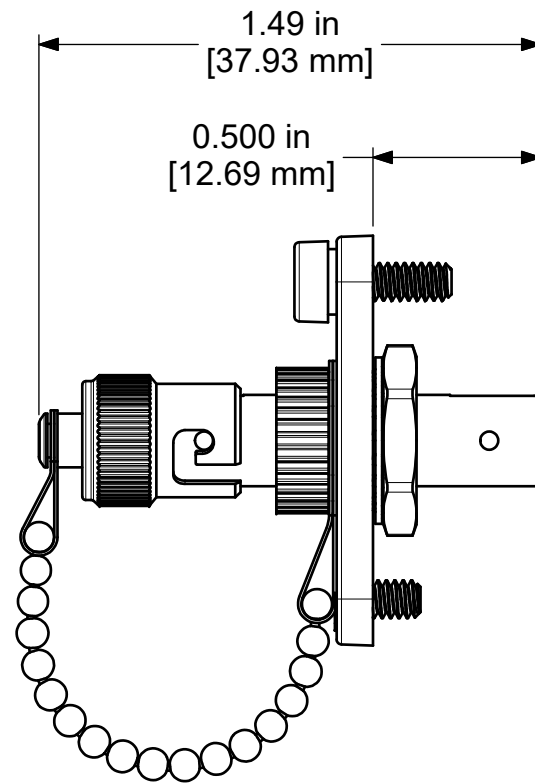
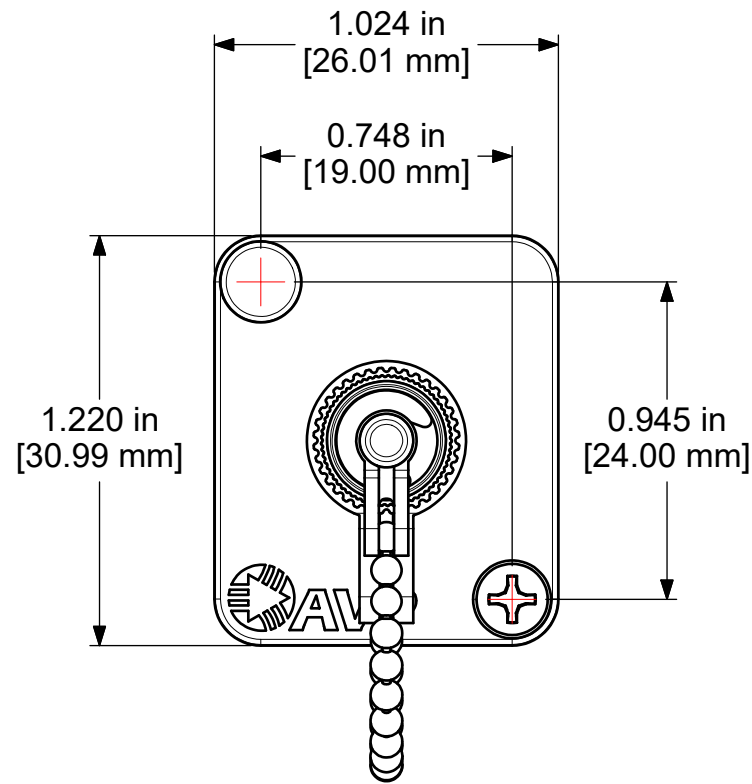
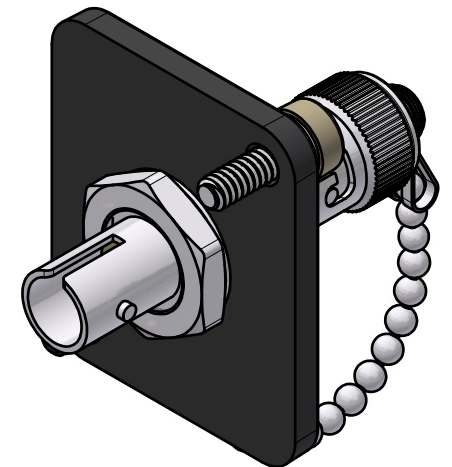
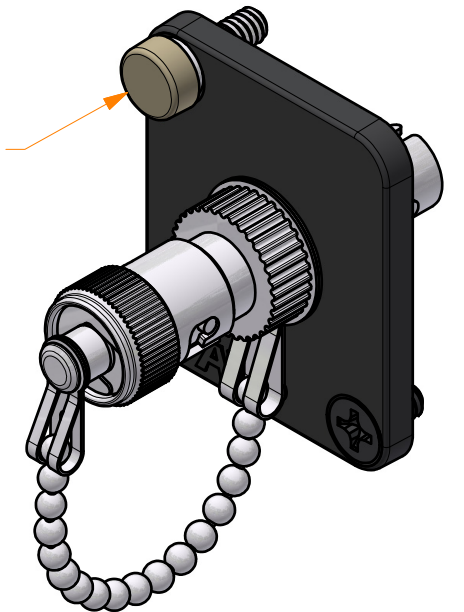
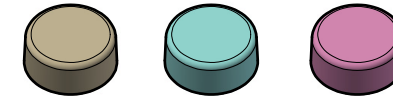


# Product Drawing

# UMF-MMS-ST-DC Connector Kit



Maxxum Indicator System (MIS).  
Module Kit supplied with Beige,  
Aqua, & Magenta Color-coded  
Caps.



\* In the interest of improved design and performance, AVP reserves the right to make changes in its specifications without prior notice. Although every reasonable effort has been made to insure the accuracy of the information contained, photographs and/or drawings may differ slightly from the appearance or dimension of the actual product. All trademarks, trade names, logos, product names, and company names appearing are the property of their respective owners. Not responsible for typographical or data errors. Copyright © AVP MFG & Supply Inc.

**MIS**  
**Ordering**  
**Info**

○ WHITE ● BEIGE ● YELLOW ● BROWN  
● BLUE ● GRAY ● PURPLE ● GREEN  
● RED ● AQUA ● BLACK ● ORANGE ● MAGENTA

MIS-30-COLOR  
MIS-60-COLOR  
MIS-100-COLOR

Replace "COLOR"  
Eg: MIS-30-RED  
to order 30 RED

MIS-30-Multi - 30 of each color  
MIS-60-Multi - 60 of each color  
MIS-100-Multi - 100 each color



**ST MM SX OM1/2/3/4 Metal Adapter, Zirconia Sleeve,  
1 DC & Chain, Beige, Aqua & Magenta MIS,  
Adapter Plate(s) and/or Hardware, Maxxum Series**

File Name: UMF-MMS-ST-DC-PD

P/N: 907179

Product Family: Universal Bulkhead Panel System, Maxxum Series

Date Drawn: 09-Dec-24

Page Number: 1 of 2

Revision: 7.0

Sheet Size: B

Drawn By: D.Brazeau

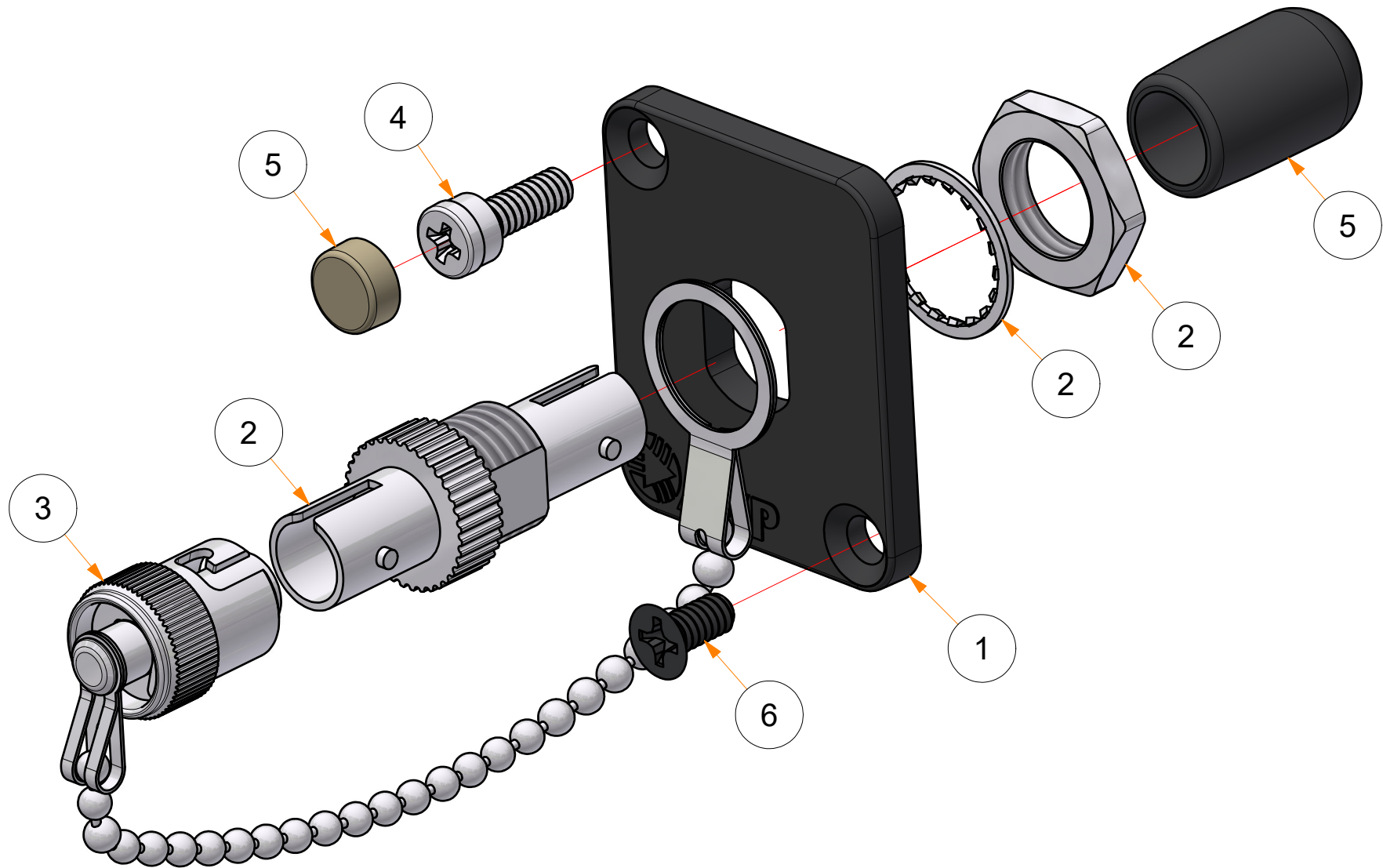
Checked By:

Approved By:

# UMF-MMS-ST-DC Connector Kit

| Parts List |     |          |
|------------|-----|----------|
| ITEM       | QTY | PART No. |
| 1          | 1   | 123584   |
| 2          | 1   | 241318   |
| 3          | 1   | 241552   |
| 4          | 1   | 129916   |
| 5          | 1   | 126385   |
| 6          | 2   | 126180   |

| Included MIS Indictors Not Shown |     |          |         |
|----------------------------------|-----|----------|---------|
| ITEM                             | QTY | PART No. | COLOR   |
| 1                                | 1   | 126384   | Aqua    |
| 2                                | 1   | 126386   | Magenta |



\* In the interest of improved design and performance, AVP reserves the right to make changes in its specifications without prior notice. Although every reasonable effort has been made to insure the accuracy of the information contained, photographs and/or drawings may differ slightly from the appearance or dimension of the actual product. All trademarks, trade names, logos, product names, and company names appearing are the property of their respective owners. Not responsible for typographical or data errors. Copyright © AVP MFG & Supply Inc.

|  |   |  |  |
|--|---|--|--|
|  | ○ WHITE   ● BEIGE   ● YELLOW   ● BROWN<br>● BLUE   ● GRAY   ● PURPLE   ● GREEN<br>● RED   ● AQUA   ● BLACK   ● ORANGE   ● MAGENTA | MIS-30-COLOR } Replace "COLOR"<br>MIS-60-COLOR } Eg: MIS-30-RED<br>MIS-100-COLOR } to order 30 RED | MIS-30-Multi - 30 of each color<br>MIS-60-Multi - 60 of each color<br>MIS-100-Multi - 100 each color |
|--|---|--|--|



**ST MM SX OM1/2/3/4 Metal Adapter, Zirconia Sleeve,  
1 DC & Chain, Beige, Aqua & Magenta MIS,  
Adapter Plate(s) and/or Hardware, Maxxum Series**

|  |                     |               |               |
|--|---------------------|---------------|---------------|
| File Name: UMF-MMS-ST-DC-PD                                    |                     | P/N: 907179   |               |
| Product Family: Universal Bulkhead Panel System, Maxxum Series |                     |               |               |
| Date Drawn: 09-Dec-24  | Page Number: 2 of 2 | Revision: 7.0 | Sheet Size: B |
| Drawn By: D.Brazeau  | Checked By:         | Approved By:  |               |