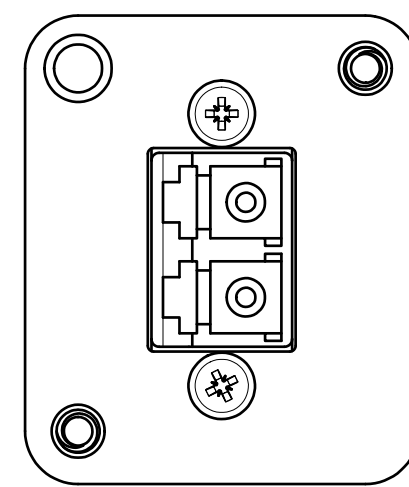
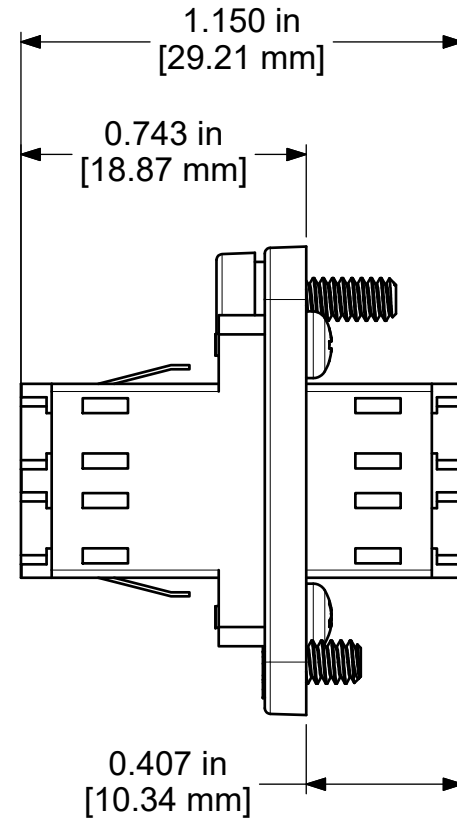
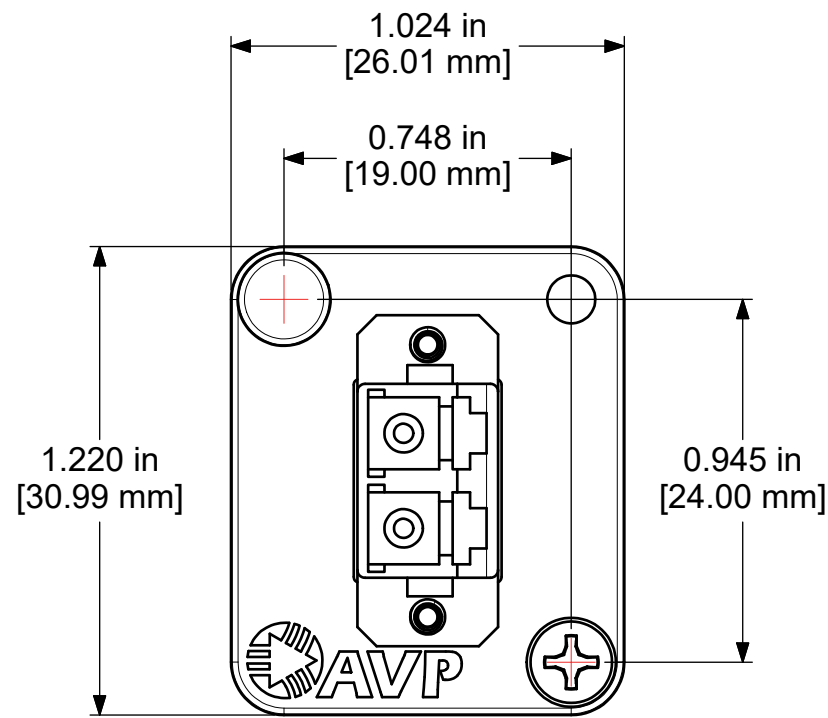
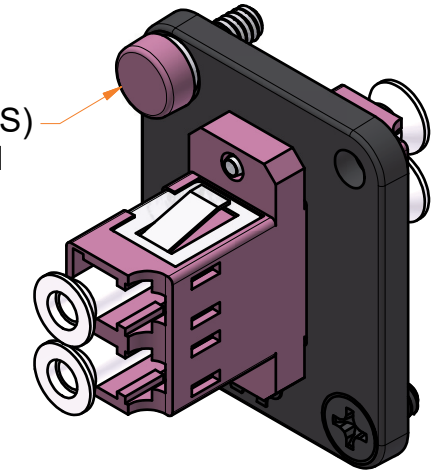


Product Drawing

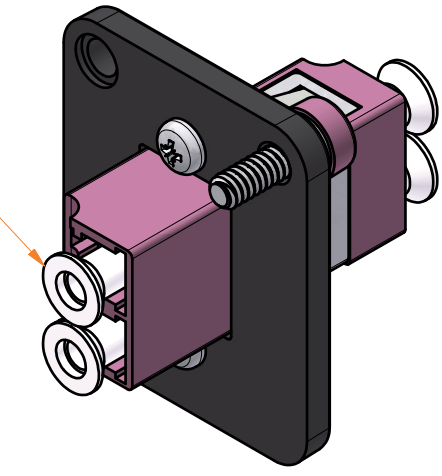
UMF-MMD-LC-MG Connector Kit



Maxxum Indicator System (MIS)
Magenta colored cap supplied



Supplied with
4x Dust Plugs



Note: Parts as shown are for reference only, actual parts may vary

* In the interest of improved design and performance, AVP reserves the right to make changes in its specifications without prior notice. Although every reasonable effort has been made to insure the accuracy of the information contained, photographs and/or drawings may differ slightly from the appearance or dimension of the actual product. All trademarks, trade names, logos, product names, and company names appearing are the property of their respective owners. Not responsible for typographical or data errors. Copyright © AVP MFG & Supply Inc.

MIS Ordering Info	○ WHITE ● BEIGE ● YELLOW ● BROWN ● BLUE ● GRAY ● PURPLE ● GREEN ● RED ● AQUA ● BLACK ● ORANGE ● MAGENTA	MIS-30-COLOR } MIS-60-COLOR } MIS-100-COLOR }	Replace "COLOR" Eg: MIS-30-RED } to order 30 RED }	MIS-30-Multi - 30 of each color MIS-60-Multi - 60 of each color MIS-100-Multi - 100 each color
--------------------------	---	---	--	--

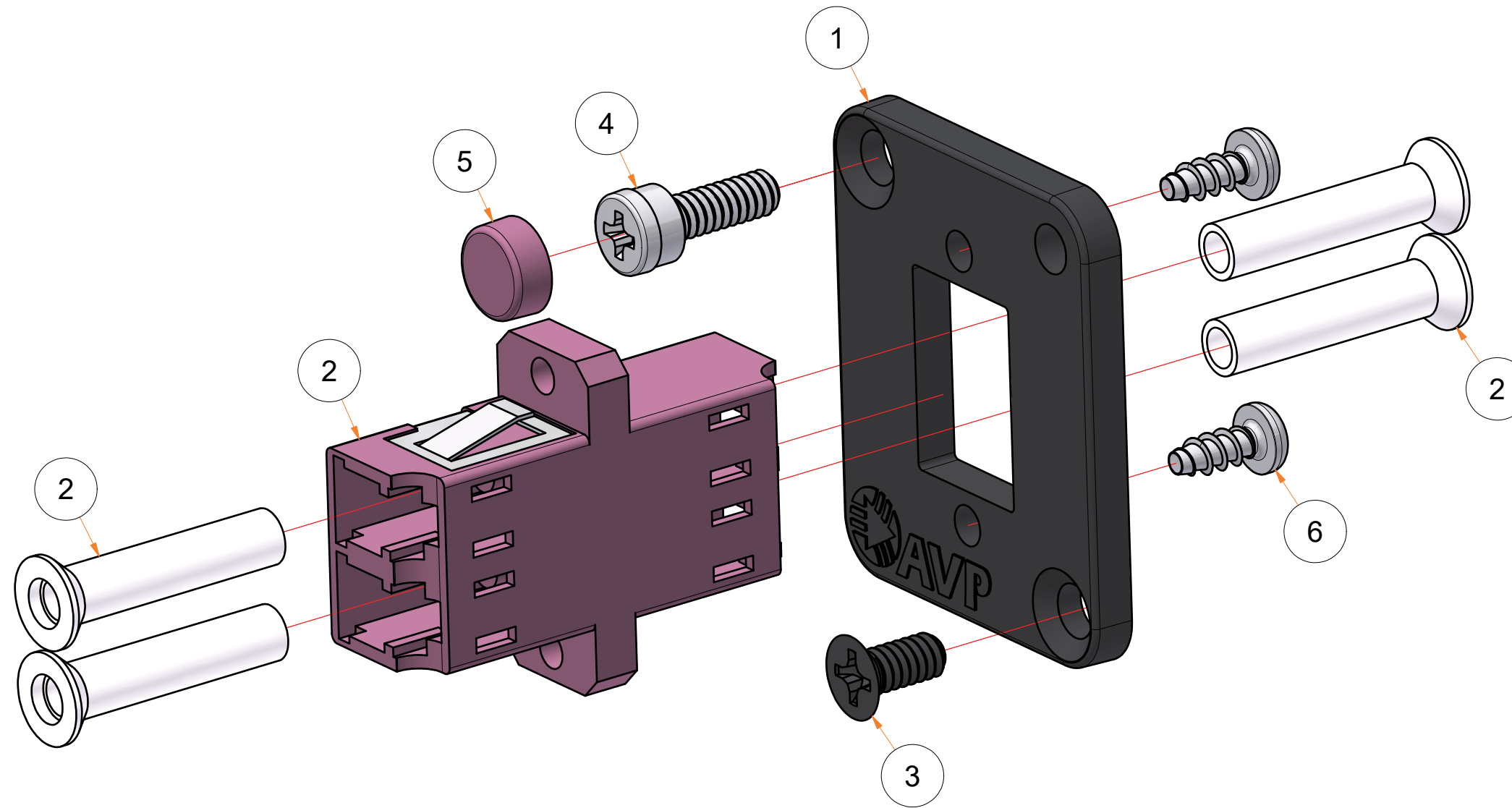


**LC MM DX 10G OM4 Magenta Adapter, Zirconia Sleeve,
SC Footprint, Magenta MIS, Adapter Plate(s)
and/or Hardware, Maxxum Series**

File Name: UMF-MMD-LC-MG-PD		P/N: 908483	
Product Family: Universal Bulkhead Panel System, Maxxum Series			
Date Drawn: 14-Sep-25	Page Number: 1 of 2	Revision: 2.0	Sheet Size: B
Drawn By: D.Brazeau	Checked By:	Approved By:	

Parts List		
ITEM	QTY	PART No.
1	1	129923
2	1	241702
3	1	126180
4	1	129916
5	1	126386
6	2	126147

UMF-MMD-LC-MG Connector Kit



Note: Parts as shown are for reference only, actual parts may vary

* In the interest of improved design and performance, AVP reserves the right to make changes in its specifications without prior notice. Although every reasonable effort has been made to insure the accuracy of the information contained, photographs and/or drawings may differ slightly from the appearance or dimension of the actual product. All trademarks, trade names, logos, product names, and company names appearing are the property of their respective owners. Not responsible for typographical or data errors. Copyright © AVP MFG & Supply Inc.

MIS Ordering Info 	○ WHITE ● BEIGE ● YELLOW ● BROWN ● BLUE ● GRAY ● PURPLE ● GREEN ● RED ● AQUA ● BLACK ● ORANGE ● MAGENTA	MIS-30-COLOR } Replace "COLOR" MIS-60-COLOR } Eg: MIS-30-RED MIS-100-COLOR } to order 30 RED	MIS-30-Multi - 30 of each color MIS-60-Multi - 60 of each color MIS-100-Multi - 100 each color
------------------------------	---	--	--



LC MM DX 10G OM4 Magenta Adapter, Zirconia Sleeve, SC Footprint, Magenta MIS, Adapter Plate(s) and/or Hardware, Maxxum Series

File Name: UMF-MMD-LC-MG-PD		P/N: 908483	
Product Family: Universal Bulkhead Panel System, Maxxum Series			
Date Drawn: 14-Sep-25	Page Number: 2 of 2	Revision: 2.0	Sheet Size: B
Drawn By: D.Brazeau	Checked By:	Approved By:	